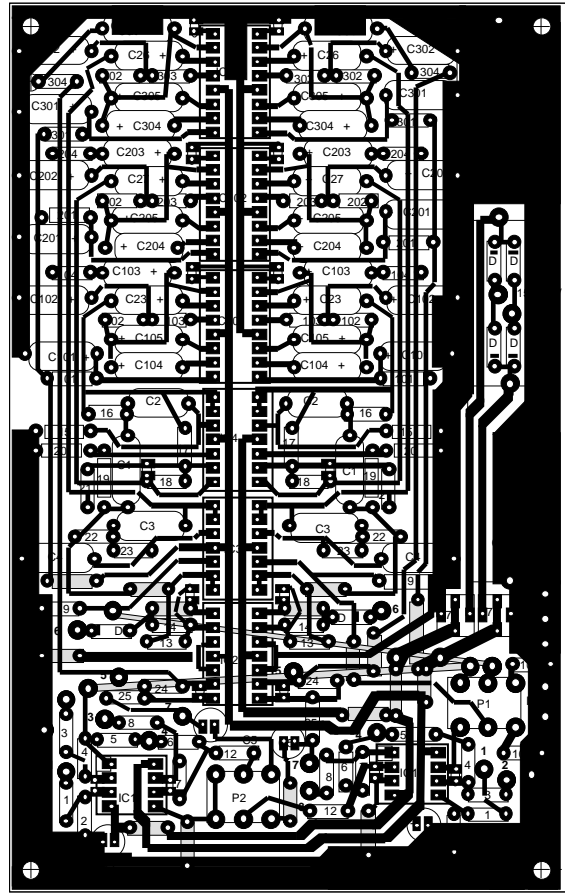
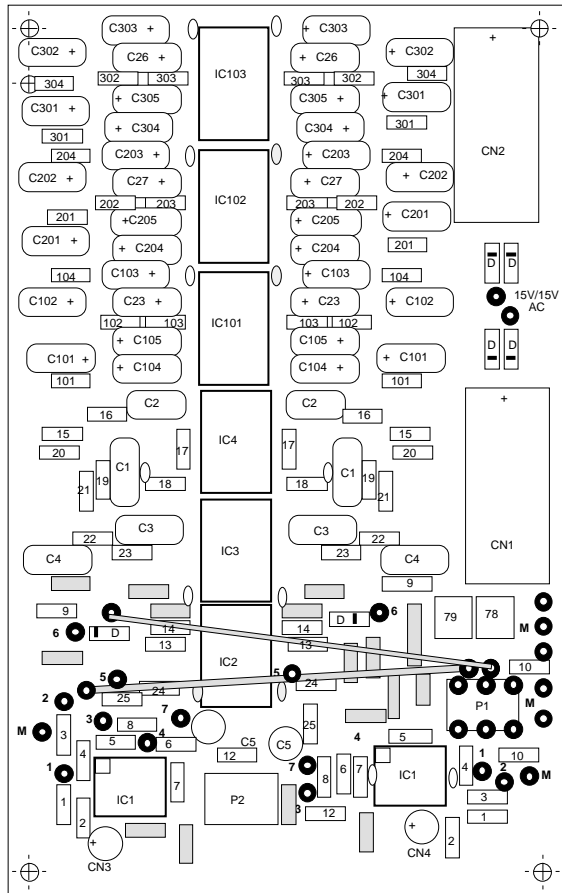




## 2. Print und Bestückung



Printvorlage separate  
Stückliste separat

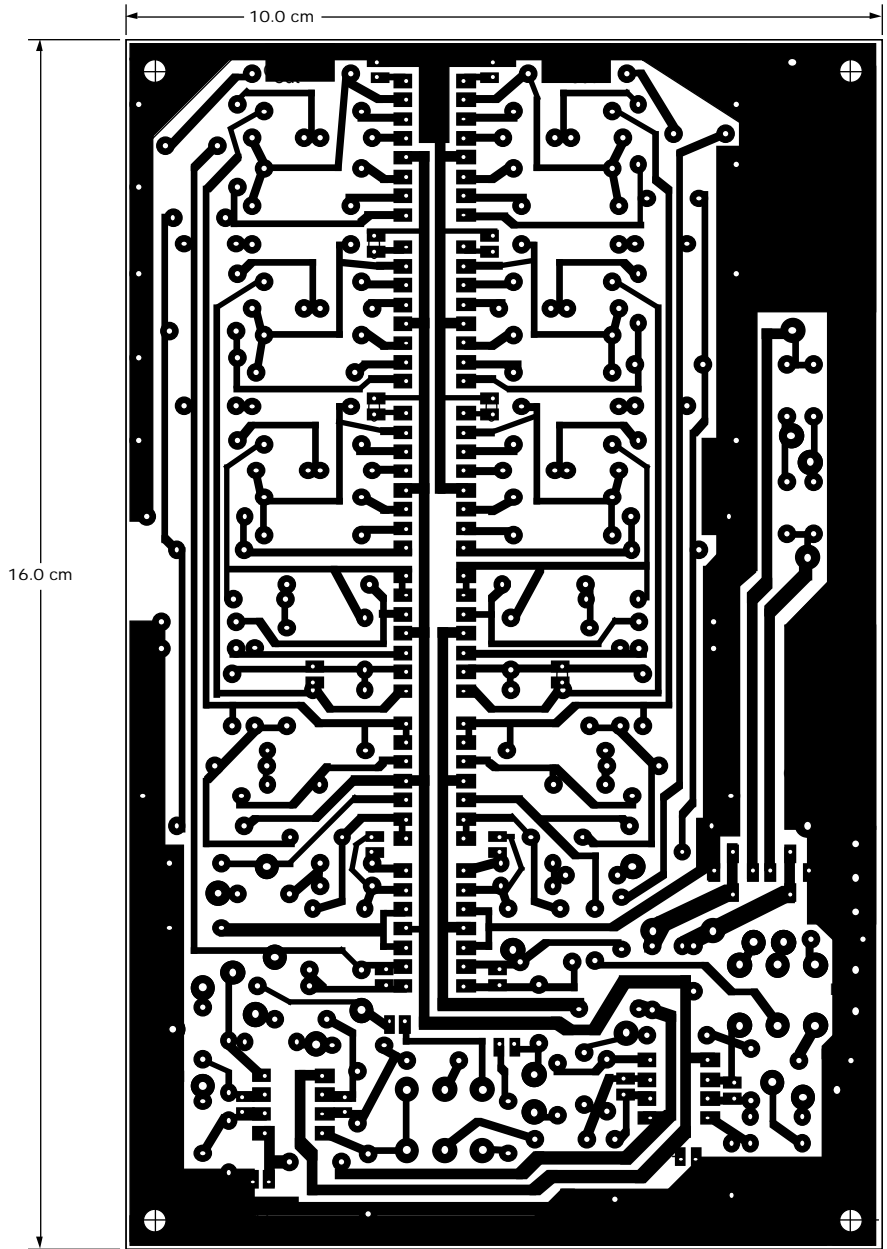
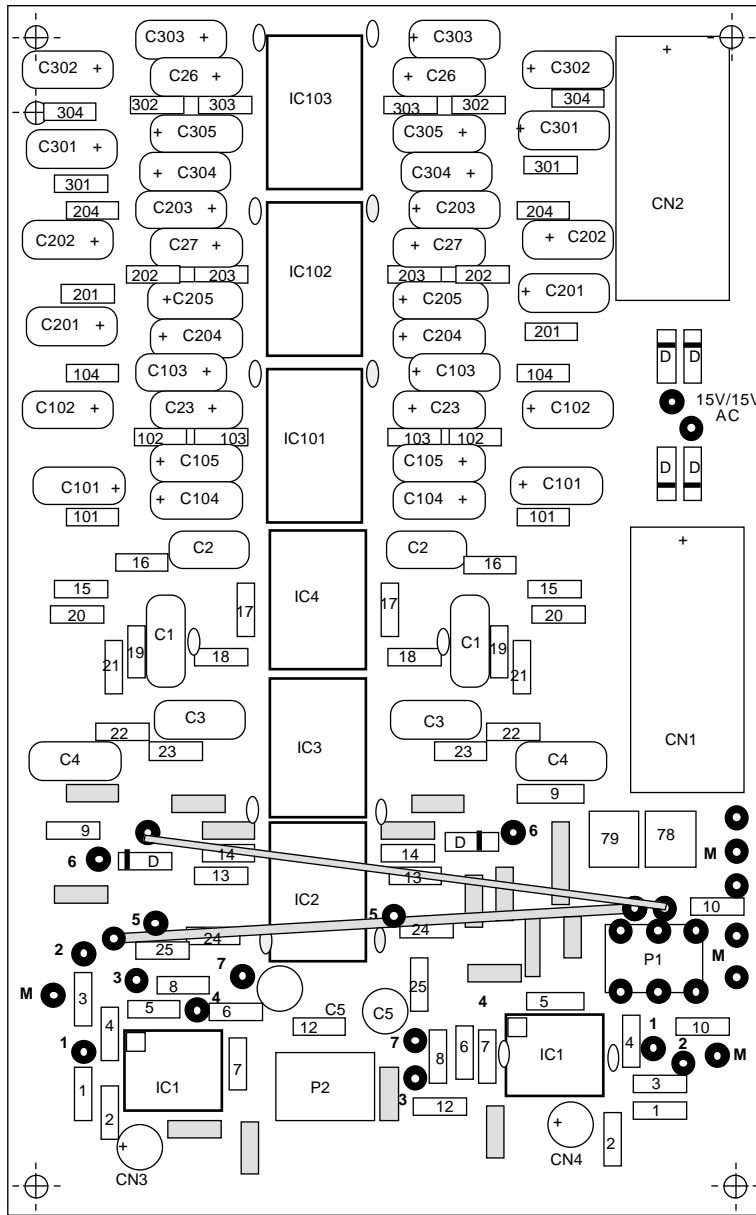


Tabelle1

Widerstände	Wert	Elkos	Wert	Zusammenstellung Bauteile TDMAGIC			
R1	4.99k	C23	4.7u				
R2	4.99k	C26	4.7u		Widerstände	Anzahl	Lieferant
R3	10k	C27	4.7u		51 Ohm	2	
R4	10k	C101	1u		4.99k	20	
R5	4.99k	C102	10u		10k	18	
R6	4.99k	C103	4.7u		33.2k	6	
R7	10k	C104	10u		47k	2	
R8	51 Ohm	C105	4.7u		68.2k	2	
R9	47k	C201	1u		100k	6	
R10		C202	10u		71.5k	2	
R11		C203	4.7u		220k	2	
R12	10k	C204	10u		1M	2	
R13	100k	C205	4.7u		1.21M	2	
R14	470k	C301	2.2u		680k	2	
R15	68.2k	C301	10u		470k	2	
R16	33.2k	C303	4.7u				alle R min 0,3Watt, Metalloxyd
R17	10k	C304	10u		Elkos		
R18	10k	C305	4.7u		1u	2	
R19	10k				2.2u	2	
R20	10k	<b>Kond 1%</b>			4.7u	16	
R21	10k	C1	1n8		10u	8	
R22	33.2k	C2	1n8				alle Elkos min 25V
R23	33.2k	C3	3n6				
R24	220k	c4	1n8		Kond. 1%		
R25					1n8	6	
R26		<b>IC</b>			3n6	2	
		IC1	NE5032				
R101	1M	IC2	TL074		Elkos Netz		
R102	4.99k	IC3	TL074		1000u/25V	2	
R103	4.99k	IC4	TL074		220u/25V	2	
R104	100k	IC101	NE571				
R201	1.21M	IC102	NE571		IC		
R202	4.99k	IC103	NE571		2n3452	2	
R203	4.99k				TL074	3	
R204	71.5k	<b>Dioden</b>			NE	3	
R301	680k	DN1	1N4007				
R302	4.99k	DN2	1N4007		7815	1	
R303	4.99k	DN3	1N4007		7915	1	
R304	100k	DN4	1N4007				
		D1	1N4007		Dioden		
<b>Elkos Netz</b>					2N4001	6	
CN1, CN2	1000u/25V	<b>Spannungsreg.</b>					
CN3, CN4	220u/25V	7815					
		7915			Pot		
					10k lin	2	